

Exit Button

Exit Button 3 x 1

Model EBP-S01A

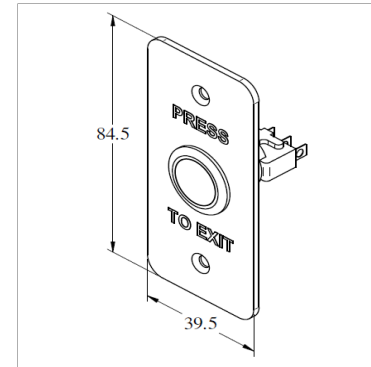


Description

Exit Button is designed to provide a reliable means of ingress/egress for access controlled openings in commercial and industrial facilities. The heavy duty stainless steel faceplate is designed to mount, depending on the model, into a single gang or narrow jamb electrical box.

Standard Features

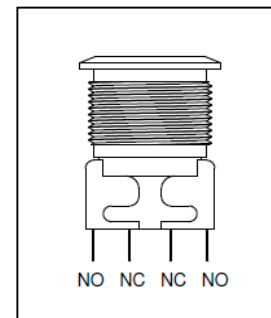
- No Power Required To Operate
- Vandal Resistant
- Stainless Steel Faceplate
- N.O. & N.C. Output



Specification

	EBP-S01A
Material	Stainless Steel
Momentary	Double Pole Double Throw
Max. Rating	5A, 125/250VAC
Operating Life	Over 100000 Times
Operating Travel	2.7 mm
Dimension	84.5 x 39.5 mm
Weight	0.1kg

Wiring Diagram



DISCLAIMER:- Specifications are subject to change without prior notice.

- Attached photo is for reference purpose only, actual product may varies.

